




*Ultra-Clean multifuel woodburners and boiler stoves.  
All DEFRA exempt for use in any smoke control area.*



A night view of a city with a bridge railing in the foreground and a large building illuminated in the background. The railing is dark with a repeating pattern of circular cutouts. The building in the background is lit up with warm yellow lights, showing many windows and architectural details. The sky is dark blue with some light clouds.

*Equally at home in the City or Countryside, all Ekol stoves can be used to burn wood in any area of the UK. All models are so Ultra Clean Burning, they are up to 8 times cleaner than the required standard for smoke control areas. All are officially recognised by DEFRA as exempt appliances.*

*Designed and developed in Dorset, England, the Ekol range of multifuel stoves is the result of many thousands of hours of state of the art research and development to create the most efficient, cleanest, most durable and easy to use stoves possible. All have advanced Clearglass airwash system and optional mirrored glass.*

*Ekol have developed a range of 'Crystal' Cast Iron models as well as the Hybrid 'Clarity' range, utilising an optimised choice of Cast Iron components along with precision engineered heavy gauge steel and refractory firebrick linings. All share the same advanced cleanburn technology.*

*We have created the first ever double-sided stove suitable for smoke control areas.*

*Also available are our boiler models, amongst an elite selection of boiler stoves available which can legally be used to burn wood anywhere in the UK. All models are BS and CE approved for use throughout Europe.*

# contents

<i>clarity range</i>	<i>page 4-</i>
<i>clarity 5</i>	<i>page 5</i>
<i>clarity 8</i>	<i>page 6</i>
<i>clarity 12</i>	<i>page 7</i>
<i>clarity-vision</i>	<i>page 8</i>
<i>clarity Bio -Ethanol</i>	<i>page 9</i>
<i>clarity double sided</i>	<i>page 10+11</i>
<i>crystal range</i>	<i>page 12-</i>
<i>crystal 5</i>	<i>page 13</i>
<i>crystal 8</i>	<i>page 14</i>
<i>crystal 12</i>	<i>page 15</i>
<i>door colour options</i>	<i>page 16</i>
<i>ekol-adept</i>	<i>page 17</i>
<i>ekol inset stoves</i>	<i>pages 18+19</i>
<i>clarity boiler stoves</i>	<i>pages 20</i>
<i>ekol apple pie</i>	<i>Page 21</i>
<i>dimensions all stoves</i>	<i>pages 22-25</i>
<i>models+product codes</i>	<i>pages 26-27</i>
<i>dealer and contact info</i>	<i>back cover</i>





# Clarity



*The Ultra-Cleanburning Technology of Ekol stoves which achieves DEFRA Exempt status also makes for an easy to use, highly efficient stove with a unique flame pattern that is simply mesmerising.*

*Less ash is produced, the glass window stays amazingly clear and less cleaning of the stove and chimney is required.*

*The result is a much improved experience taking the effort out of wood-burning.*

*The Clarity range are a State-Of-the Art Hybrid stove, using the ultimate combination of heavy cast iron inner components along with dense refractory firebrick linings and precision engineered outer steel shell up to 10mm thick.*

*Available in low and high bodied versions, all are designed with large window for maximum views of the fire.*



*clarity 5 high*



*clarity 5*

**Key Features**

High Efficiency	✓ 78.9%
Nominal Heat Output	5 kW
Multifuel Ready	✓
Advanced Airwash	✓
Optimum Heat Output Range	2 to 5kW
Ultra Clean Burn	✓
Maximum Log Length	10"/250mm
5 Year Guarantee	✓
DEFRA Exempt for Smokeless Zones	✓
Large View Ceramic Glass	✓
Optional Mirror Glass	✓
Flue Outlet Top or Rear	5"(125mm)
Room Vent Not Normally Needed	✓
Option of Low or High Body	✓
Suitable for Use on 12mm Hearth	✓
Fits Standard 16" by 22" Opening (Low version)	✓



*clarity 5 low*



### Key Features

High Efficiency	✓ 78.3%
Nominal Heat Output	6.4 kW
Multifuel Ready	✓
Ultra Clean Burn	✓
Optimum Heat Output Range	3 to 8kW
Optional Mirror Glass	✓
Maximum Log Length	12"/300mm
5 Year Guarantee	✓
DEFRA Exempt for Smokeless Zones	✓
Large View Ceramic Glass	✓
Advanced Airwash	✓
Flue Outlet Top or Rear	5"(125mm)
Option of Low or High Body	✓
Suitable for Use on 12mm Hearth	✓



# clarity 8



*clarity 12 high*



### Key Features

High Efficiency	✓ 75.9%
Nominal Heat Output	10.5 kW
Multifuel Ready	✓
Advanced Airwash	✓
Optimum Heat Output Range	4 to 12kW
Optional Mirror Glass	✓
Maximum Log Length	18"/450mm
5 Year Guarantee	✓
DEFRA Exempt for Smokeless Zones	✓
Large View Ceramic Glass	✓
Ultra Clean Burn	✓
Flue Outlet Top or Rear	6"(150mm)
Option of Low or High Body	✓
Suitable for Use on 12mm Hearth	✓



*clarity 12 low*

**clarity 12**

## Could this be the Widest 5kW Freestanding Stove?



*The Clarity-Vision is designed to give the widest width and view of the fire whilst keeping the nominal rated output at 5kW. As one of the widest 5kW stoves available in the UK, there are few rivals in this category.*

*Based on the width and height dimensions of its big brother the Clarity12, the depth is reduced allowing for easier insertion into shallow fireplaces or less intrusion into the room when used free-standing against a wall.*

*At the same time the wide firebox is retained allowing for long logs to be used.*

*A 5" diameter flue can be used making installation easier.*

clarity vision

### Key Features

High Efficiency	✓ 78.9%
One of the Widest 5kW Stoves ever	✓
Ultra Clean Burn	✓
Dedicated Woodburner	✓
Advanced Airwash	✓
Nominal Output	5kW
Optimum Heat Output Range	2 to 7kW
Is Room Air Vent Usually Required?	No
Optional Mirror Glass	✓
Maximum Log Length	16"/400mm
5 Year Guarantee	✓
DEFRA Exempt for Smokeless Zones	✓
Large View Ceramic Glass	✓
Black Finish	✓
Flue Outlet Top or Rear	✓
Option of Low or High Body	✓
Suitable for Use on 12mm Hearth	✓
Optional heatshield reduces heat at rear of stove	✓





**The best selling Ekol Clarity Vision now available with bio-ethanol fuel option.  
Easily switch between wood and bio-ethanol , or use as free-standing with no chimney required**





*clarity double sided low*



*Introducing the first double sided stove ever to pass the stringent legal testing required for smoke control areas (DEFRA Exemption/Approval).*

*Many experienced manufacturers have attempted this without success.*

*Ekol's Advanced Combustion Research Facility enabled the Clarity double sided to achieve this though, and is in fact many times cleaner than the required standard.*

*Sit back and watch through large crystal-clear windows both sides. Bridge two rooms through a central chimney or place anywhere in your room for a stunning centre-piece.*





clarity double sided high



## double sided

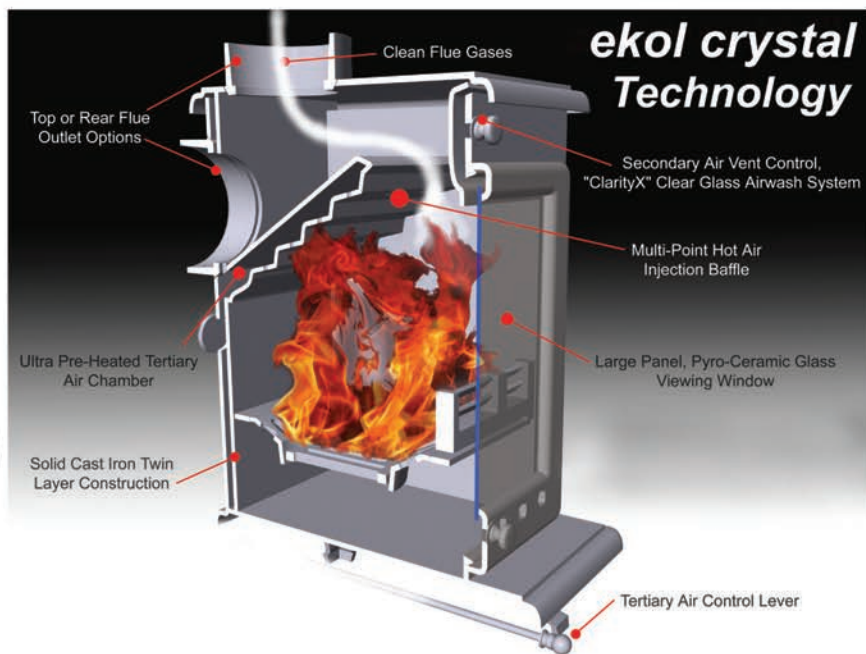
### Key Features

High Efficiency	✓ 73.3%
Nominal Heat Output	12.3 kW
Multifuel Ready	✓
Ultra Clean Burn	✓
Heat Output Range	5 to 14kW
Optional Mirror Glass	✓
Maximum Log Length	18"/450mm
5 Year Guarantee	✓
DEFRA Exempt for Smokeless Zones	✓
First Double Sided DEFRA Stove Ever	✓
Large View Ceramic Glass	✓
Advanced Airwash	✓
Top Flue Outlet	6" (150mm)
Option of Low or High Body	✓
Suitable for Use on 12mm Hearth	✓



clarity

# Crystal



*The 'Crystal' range share the same clean-burn technology as the 'Clarity' stoves.*

*All Ekol Crystal stoves are hand made with traditional solid cast iron construction in the same way stoves have been made for the last 200 years, but using the latest technological advances in the firebox and air-flow design.*

*The result is a truly advanced stove which is highly efficient, ultra clean-burning, simple to operate, with robust durable construction throughout and no delicate parts to go wrong.*

*Available in 5, 8 and 12 kilowatt sizes, and as with all Ekol stoves each model has a broad range of efficient operating outputs.*

*The Crystal 5 model, is along with the Clarity 5, one of the few stoves in the UK capable of being installed into a standard 16" wide fireplace opening.*



# crystal 5

## Key Features

High Efficiency	✓ 78.9%
Nominal Heat Output	5 kW
Multifuel Ready	✓
Ultra Clean Burn	✓
Optimum Heat Output Range	2 to 5kW
Optional Mirror Glass	✓
Maximum Log Length	10"/250mm
5 Year Guarantee	✓
DEFRA Exempt for Smokeless Zones	✓
Large View Ceramic Glass	✓
Advanced Airwash	✓
Flue Outlet Top or Rear	5"(125mm)
Room Vent Not Normally Needed	✓
Suitable for Use on 12mm Hearth	✓
Fits Standard 16" by 22" Opening	✓





# crystal 8

## Key Features

High Efficiency	✓ 78.3%
Nominal Heat Output	6.4 kW
Multifuel Ready	✓
Ultra Clean Burn	✓
Optimum Heat Output Range	3 to 8kW
Optional Mirror Glass	✓
Maximum Log Length	12"/300mm
5 Year Guarantee	✓
DEFRA Exempt for Smokeless Zones	✓
Large View Ceramic Glass	✓
Advanced Airwash	✓
Flue Outlet Top or Rear	5"(125mm)
Suitable for Use on 12mm Hearth	✓





# crystal 12

## Key Features

High Efficiency	✓ 75.9%
Nominal Heat Output	10.5 kW
Multifuel Ready	✓
Ultra Clean Burn	✓
Optimum Heat Output Range	4 to 12kW
Optional Mirror Glass	✓
Maximum Log Length	18"/450mm
5 Year Guarantee	✓
DEFRA Exempt for Smokeless Zones	✓
Large View Ceramic Glass	✓
Advanced Airwash	✓
Flue Outlet Top or Rear	6"(150mm)
Suitable for Use on 12mm Hearth	✓



# Door Colour Options



**Black** - The Ekol standard colour with a slight metallic fleck to the paint adding depth to the surface.



**Light Grey** - Just as it sounds.



**Charcoal** - A dark grey a few shades under black - makes a subtle contrast with the black body.

*You can choose to add a little colour to your Ekol by ordering it with a contrasting door colour. Shown here are our most popular choices.*

*Also available with the 'burnished' door option - the cast iron door is finished by hand with various polishing tools and abrasives to give a truly unique bare-metal look, then coated with a clear protective surface - no two are ever the same. Parts of the door over time will then change through many different hues of subtle blues and purples as the stove is heated.*

*(Colours shown are for representation only and printed brochure may vary slightly from actual colours)*

**Mojave Red** - A deepish vibrant red.



**Light Ivory** - A clean light creamy colour but not overly yellow.



**Burnished** - Hand finished lightly-polished bare metal. Some natural casting imperfections retained for a unique look.







*Ekol-Adept is a highly advanced stove concept. Precision engineered dual layer steel construction, this is a very heavy duty woodburner and will efficiently heat your room to perfection via warm air convection as well as infra-red, thermal radiant heat.*

*Designed to burn in style, there are literally limitless options with this stove, so that it becomes your own truly bespoke piece of engineered design.*

*Floorstanding, wall hung, ceiling suspended, bench mounted, pedestal mounted, inset-hole-in-the-wall, glass fronted, regular door, curved glass door - the choice is yours.*

*With tactile material options such as Ekol's own CRTPC (Ceramic Reinforced Thermal Polished Concrete), brushed aluminium and stainless steel as well as multiple colour options and coloured ceramic glass, the stove is no longer just the black box in the corner of the room.*

*Ekol Adept can be fully room-sealed and fed air from outside meaning it need not take air from the room.*

*Huge viewing window and super-pre-heated airwash air keeps the screen unbelievably clean and clear for mesmerising views of the advanced combustion chamber.*

*To explore the possibilities of Ekol-Adept, see the seperate Adept Brochure, or see the Ekol website [www.defrastoves.com](http://www.defrastoves.com).*



# ekol insets



*Here at Ekol we use State-of-the-Art CAD design alongside Fluid-Dynamics research and development tools. We strive to achieve the 'perfect burn' so that your experience with your new stove is close to effortless.*

*Our Inset models are designed to fit into a standard fireplace opening with fireback removed, but equally could be built into the wall higher up for a more contemporary feel.*





# ekol insets

## inset 5 8

### Key Features

High Efficiency	✓78.5%	✓78.5%
Nominal Heat output	4.7kW	8.2kW
Multifuel Ready	✓	✓
Advanced Airwash	✓	✓
Optimum Heat Output Range	2 to 5kW	3 to 8kW
Ultra Clean Burn	✓	✓
Maximum Log Length	10"/250mm	10"/250mm
5 Year Guarantee	✓	✓
DEFRA Exempt for Smokeless Zones	✓	✓
Large View Ceramic Glass	✓	✓
Choice of 4 Colours	✓	✓
Flue Outlet	5"(125mm)	5"(125mm)
Room Vent Not Normally Needed	✓	X
Large Firebox	✓	✓
Fits Standard 16" by 22" Fireplace (or larger openings upto 19" wide)	✓	✓
Simple 'Slot In' Installation	✓	✓

### Available in:

- Deep Red Enamel
- Gloss Black Enamel
- Light Ivory Enamel
- Matt Black



# clarity boiler stoves

There are just a tiny handful of DEFRA Exempt boiler stoves available in the UK. This is due to the fact that boiler stoves by their nature, are far more likely to create smoke. To create a clean-burning boiler stove requires a particularly advanced stove design.

At our Advanced Combustion Research Facility we have been able to achieve this by optimising every element of the stove design.

Available in two sizes, they can provide hot water and central heating for up to 18 radiators (Clarity 30) when burning anthracite, or up to 12 radiators (Clarity 20) - (dependent on system and property requirements).

Both the Clarity 20 and Clarity 30 can burn wood logs as well as anthracite and other similar type solid fuels.

For easy maintenance, access to chimney flue for cleaning is possible through the stove.

## clarity boiler 20 30

### Key Features

High Efficiency	✓ up to 78.6%	✓ up to 75.3%
Ultra Clean Burn	✓	✓
Wood or Multifuel	✓	✓
Rapid Water Heating	✓	✓
Advanced Airwash	✓	✓
Heat Output Range	7 to 20kW	9 to 30kW
Nominal Output on Wood (Ratio can be varied)*	5.7kW to room, 8.3kW to water	9kW to room, 10.2kW to water
Nominal Output Anthracite	7.6kW to room, 12.8kW to water	12.2kW to room, 18.3kW to water
For Use in Open Vented Systems	✓	✓
4x 1" BSP water Connections	✓	✓
Thermostat Control	✓	✓
Optional Mirror Glass	✓	✓
Maximum Log Length	19"/475mm	21"/525mm
5 Year Guarantee	✓	✓
DEFRA Exempt for Smokeless Zones	✓	✓
Large View Ceramic Glass	✓	✓
Black Finish	✓	✓
Flue Outlet Top or Rear	6"(150mm)	6"(150mm)
Option of Low or High Body	✓	✓
Suitable for use on 12mm Hearth	✓	✓



\*NB; When the stove is not used in a Smoke Control Area, the stove can quickly be altered to provide a higher ratio of heat to the water, and less to the room.



*See Ekol Apple Pie brochure for more details*

# **ApplePie**

The 'Apple Pie' range by Ekol. Whether it be for a boat, yurt, glamping pod, shepherd's hut or just a compact fireplace, 'Apple Pie' can be adapted and customised to suit.

With its individual styling, and multiple cooking options including stainless cooktop, top baking oven, pan supports to one or both sides as well as griddle plate and pizza shelf inside, the Apple Pie is the 'Swiss Army Knife' of wood burning stoves.

Amongst an elite handful of small-space stoves fully compliant with DEFRA and Ecodesign 2022 it can be used to burn wood anywhere in the UK.

With full cast iron construction and weighing in heavier than many stoves more than twice its size, it really is built to last.

Primary, Secondary and Tertiary air are intuitively controlled by a single air control and with extra large window, enthusiastic fire-starters and chefs can easily monitor their creations.

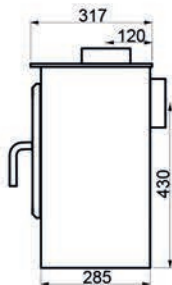
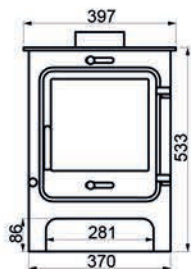
Available in multiple colour options and configurations.

# dimensions

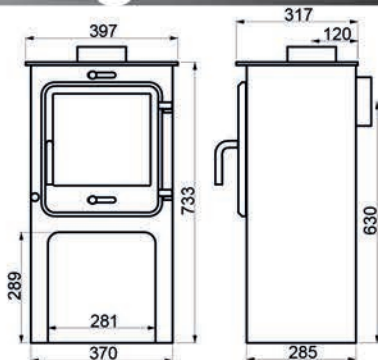
clarity 5

**low** Weight = 67kgs

Firebox = 305mm wide, 225mm deep



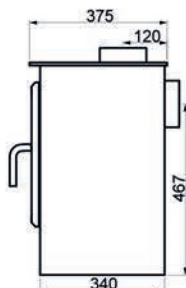
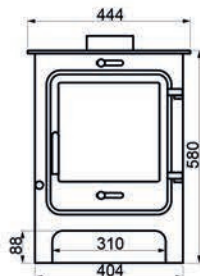
**high** Weight = 72kgs



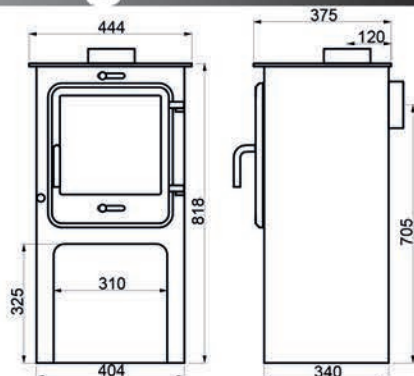
clarity 8

**low** Weight = 85kgs

Firebox = 340mm wide, 280mm deep



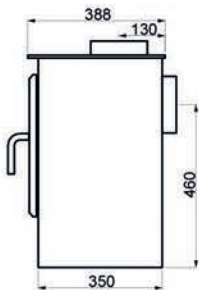
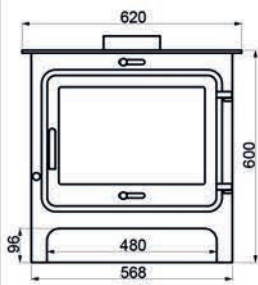
**high** Weight = 94kgs



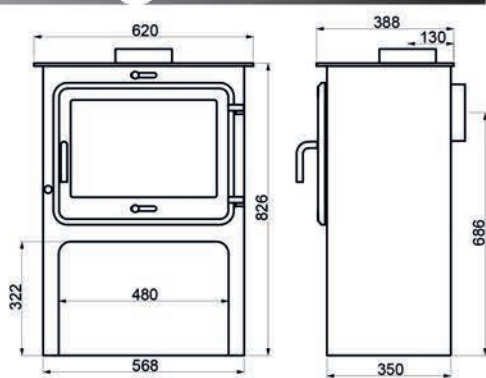
clarity 12

**low** Weight = 125kgs

Firebox = 510mm wide, 290mm deep



**high** Weight = 136kgs



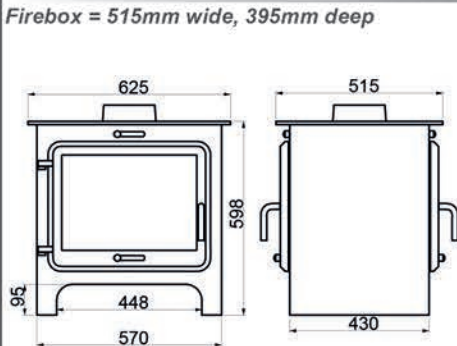
All dimensions in mm. Do not scale from drawings.

double sided

**low**

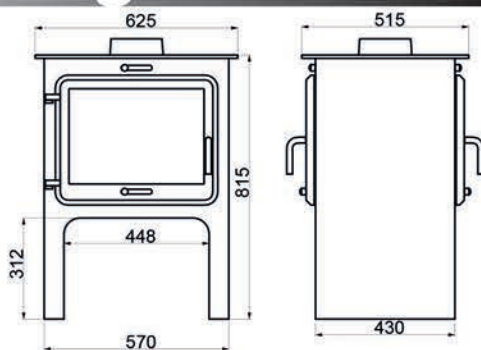
Weight = 137kgs

Firebox = 515mm wide, 395mm deep



**high**

Weight = 152kgs

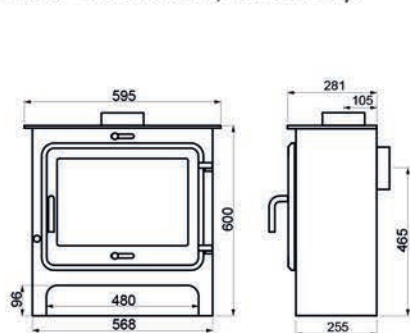


clarity vision

**low**

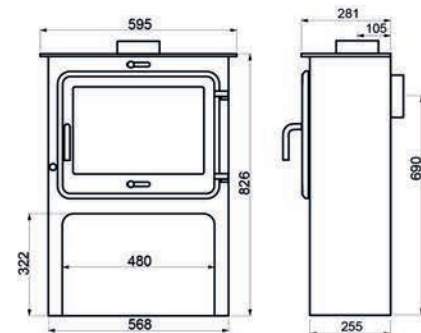
Weight = 100kgs

Firebox = 450mm wide, 200mm deep



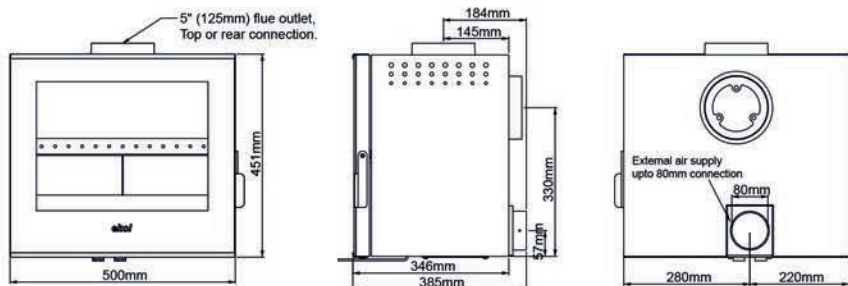
**high**

Weight = 108kgs



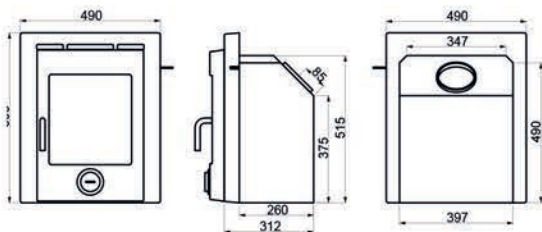
adept

Firebox = 90mm wide, 190mm deep



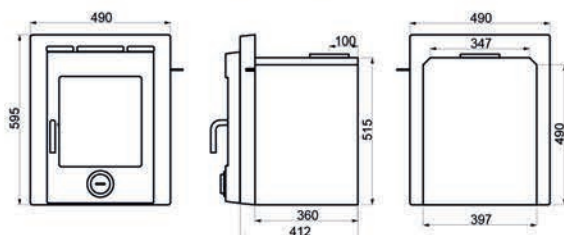
# dimensions

inset-5



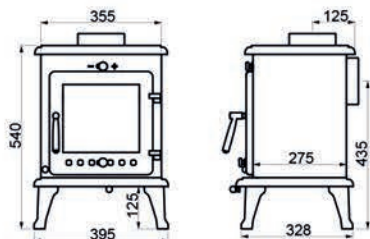
Weight = 77kgs,  
Firebox = 305mm wide, 225mm deep

inset-8



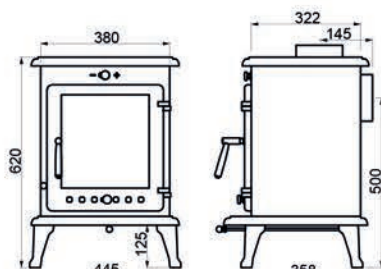
Weight = 92kgs,  
Firebox = 305mm wide, 325mm deep

crystal 5



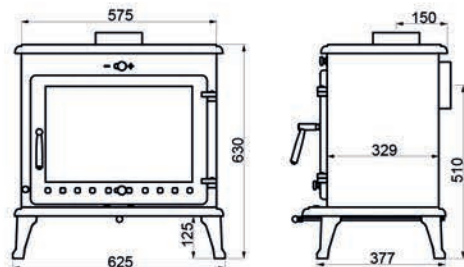
Weight = 67kgs,  
Firebox = 320mm wide, 220mm deep

crystal 8



Weight = 85kgs,  
Firebox = 340mm wide, 260mm deep

crystal 12



Weight = 130kgs,  
Firebox = 500mm wide, 275mm deep

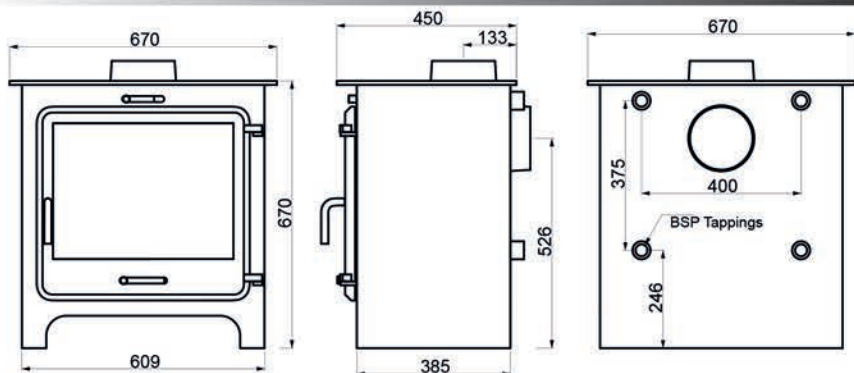


All dimensions in mm. Do not scale from drawings.

clarity 20

boiler

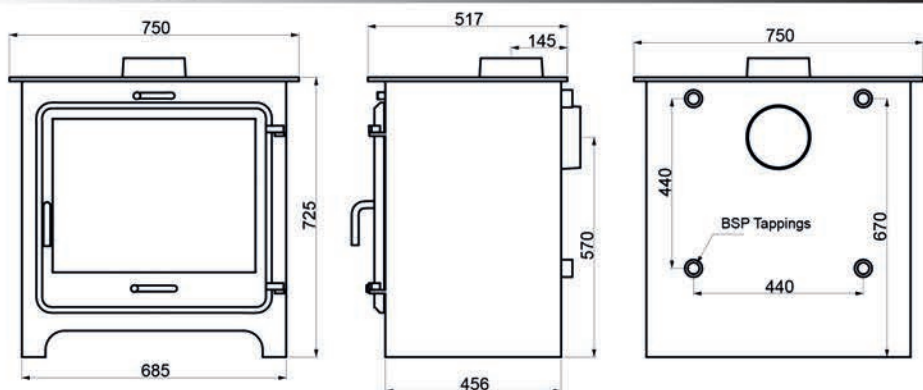
Weight = 180kgs, Firebox max'= up to 520mm wide by 315mm deep



clarity 30

boiler

Weight = 220kgs, Firebox max'= up to 595mm wide by 385mm deep



Further specifications on all models can be found on the website [www.defrastoves.com](http://www.defrastoves.com)

All Ekol models come with 5 Year Limited Warranty when purchased through an authorised dealer. Full details can be found on the website.

clarity 5 low



clarity 5 high



clarity 8 low



clarity 8 high



clarity double sided low



clarity double sided high



ekol inset 5 and 8



clarity 20 boiler



(Viewed from the front, clarity-Vision  
is the same as clarity 12)

clarity 12 low & clarity Vision low



clarity 12 high & clarity Vision high



crystal 5



crystal 8



crystal 12



clarity 30 boiler



model	code	model	code
clarity 5 low	CLA-5-L	crystal 12	CRYS-12
clarity 5 high	CLA-5-H	inset 5 Matt Black	IN-5-MB
clarity 8 low	CLA-8-L	inset 5 Red enamel	IN-5-RE
clarity 8 high	CLA-8-H	inset 5 Ivory enamel	IN-5-IE
clarity 12 low	CLA-12-L	inset 5 Black	IN-5-BE
clarity 12 high	CLA-12-H	inset 8 Matt Black	IN-8-MB
clarity double low	DUB-L	inset 8 Red enamel	IN-8-RE
clarity double high	DUB-H	inset 8 Ivory enamel	IN-8-IE
clarity Vision low	VIS-L	inset 8 Black	IN-8-BE
clarity Vision high	VIS-H	clarity 20 Boiler	CL-20-B
crystal 5	CRYS-5	clarity 30 Boiler	CL-30-B
crystal 8	CRYS-8		

All models available with optional Mirror Glass (this appears totally clear when the fire is on). Add 'MIR' to end of product code to add this option, otherwise regular clear glass will be supplied.

*Your nearest specialist Ekol dealership:*

*Further details on the range and showrooms can be found at [www.defrastoves.com](http://www.defrastoves.com)  
You can also contact us directly at Ekol for technical advice 01929 555211.*

